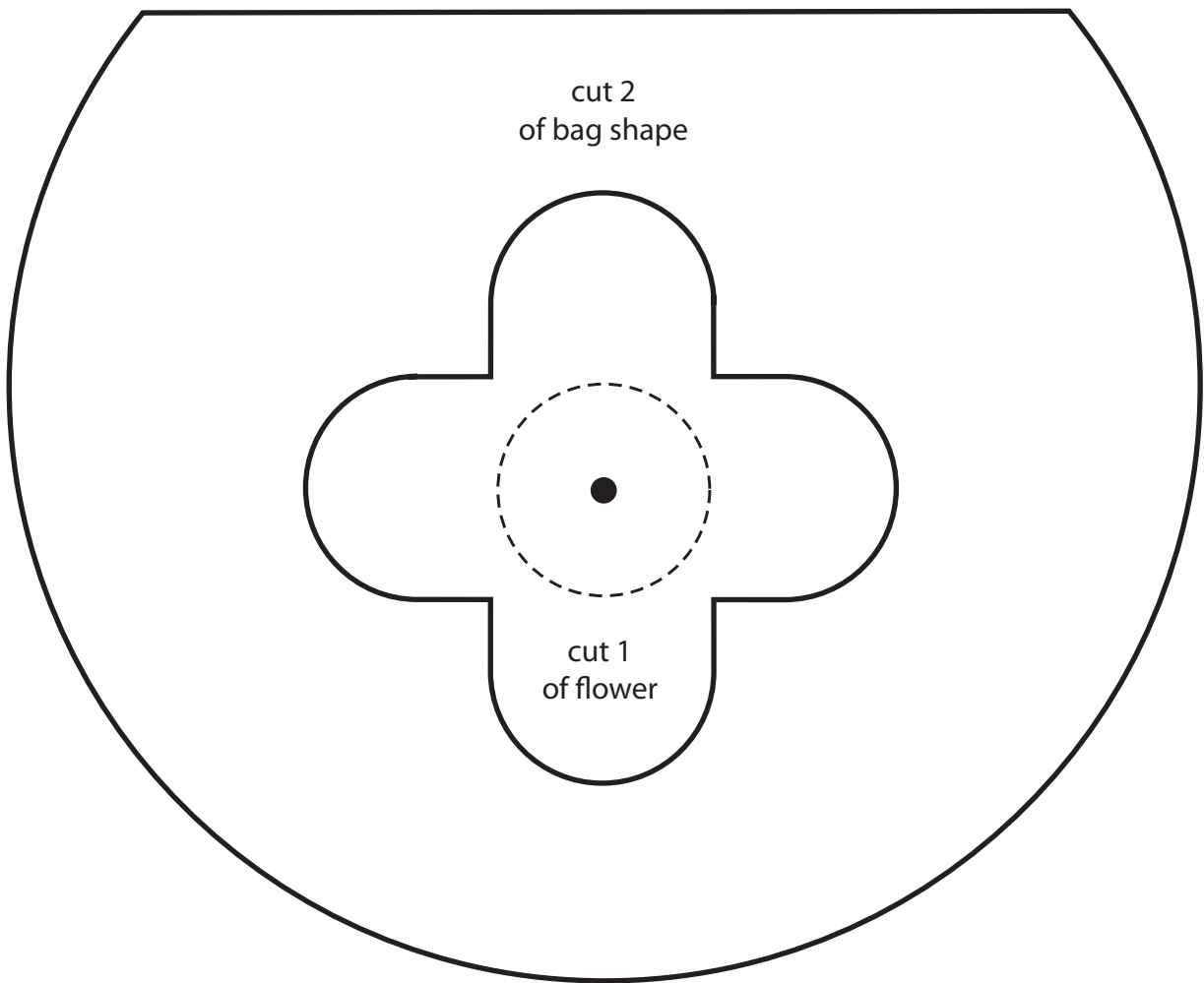


stitch-friends

flower bag pattern



stitch-friends

flower bag

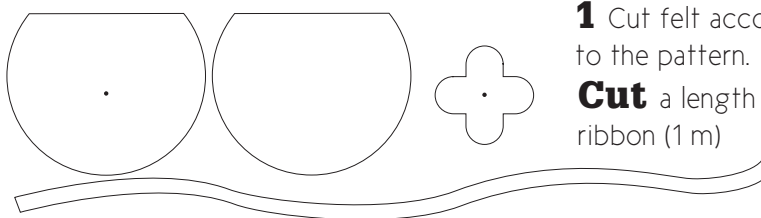
things you will need:

felt 1, 30cm x 16cm

felt 2, 10cmx10cm

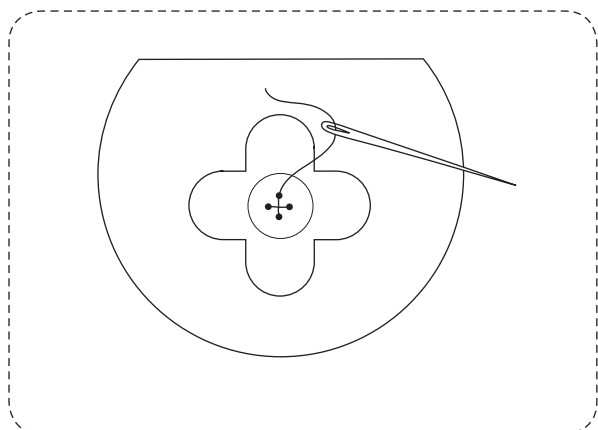
ribbon, 1m

1 button

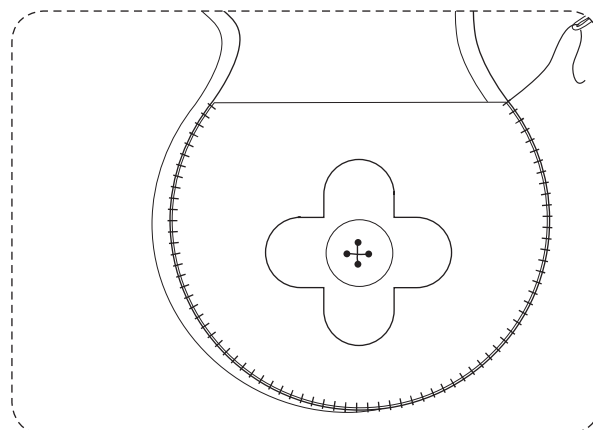


1 Cut felt according to the pattern.

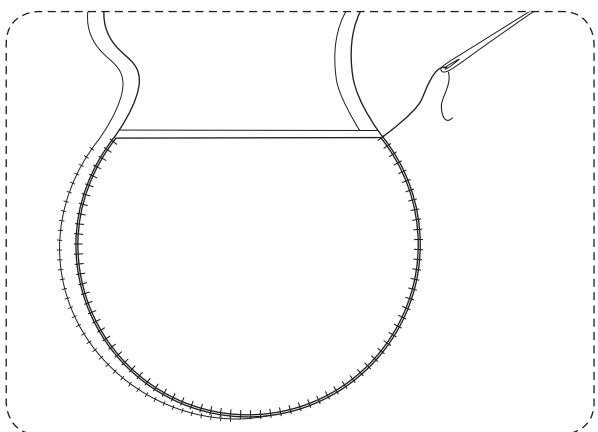
Cut a length of ribbon (1 m)



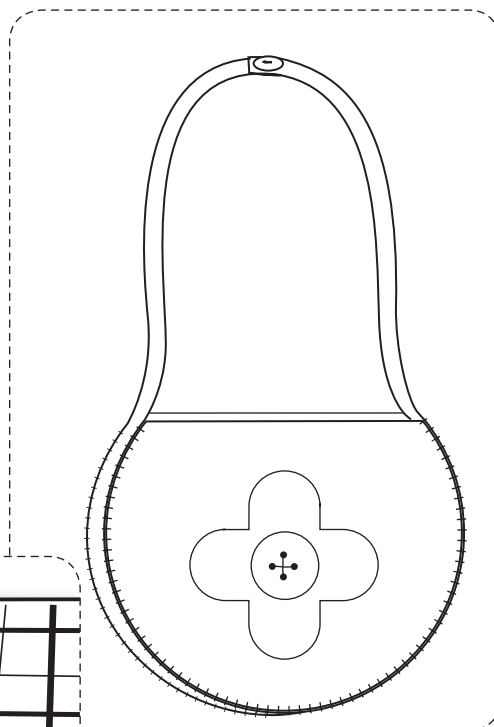
2 Sew the button and the flower onto bag piece 1.



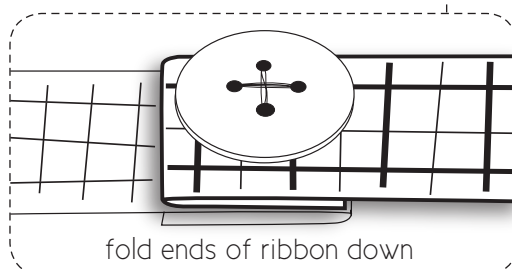
3 Pin and then blanket stitch the ribbon edge to the front bag piece. Make sure you have equal lengths of ribbon on both sides unstitched.



4 Pin and then blanket stitch the other ribbon edge to bag piece 2.



5 Fold down approximately 2cm of the top ribbon ends. Sew the ribbon together with a button on top.



hey you've made it!